

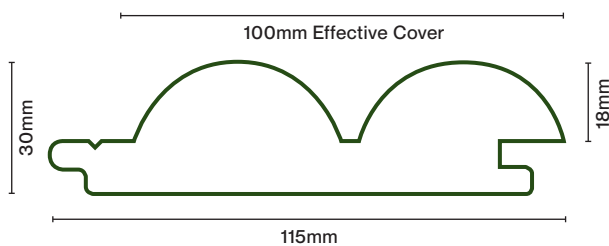
MODULO® Group 3
Profile Specification

ARC

Available Lengths	2.7m, 3.6m, 5.4m
Effective Cover	100mm
Max Thickness	30mm
Weight	17.3kg per Sqm
Curve Radius	170mm
Substrate	Decorative Fibreboard
Finish Options	Navurban™, Raw



MODULO is a high quality, simple and cost-effective linear solution for internal wall and ceiling applications. The tongue and groove internal lining boards are available in a range of profiles and supplied prefinished in a wide range of Navurban™ premium decors.



MODULO® CERTIFICATIONS



Environment
Global GreenTag



Fire
Fire certified to AS5637:1, valid to NCC Vol 1 BCA 2019



Emissions
Low VOC tested, exceeding GBCA requirements for commercial fitouts.



UV Resistance
UV Tested to ASTM D4459.

NAV DESIGNER SURFACES™

Navurban™



Silken™



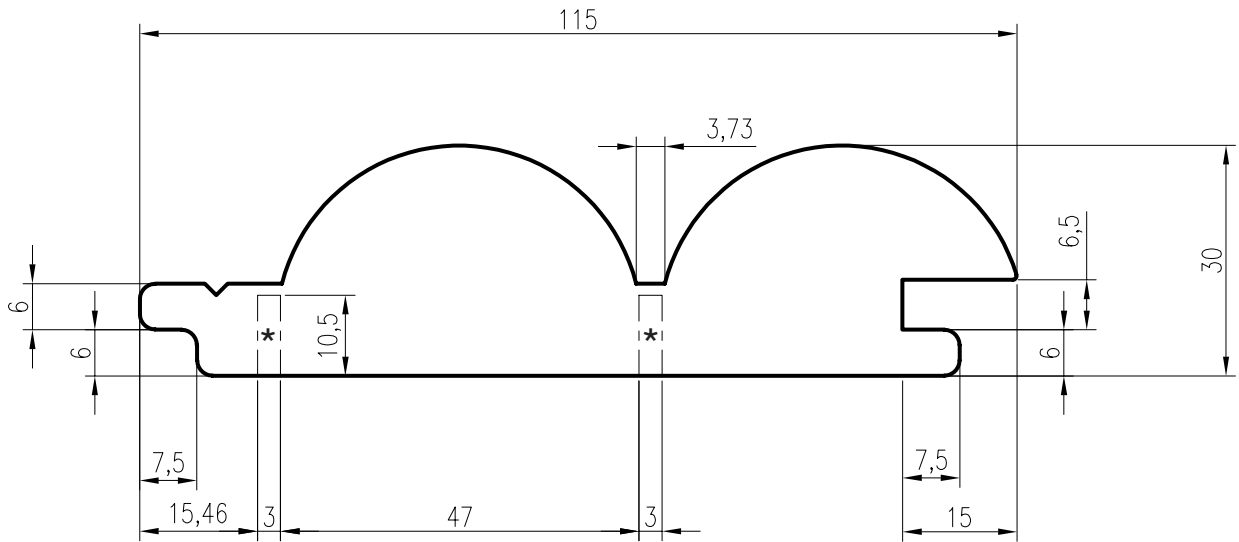
Elements™



*Navurban Diamond™ offers an extra layer surface protection.
Printed and online colours should be used as a guide only. Please request a sample to confirm your selection.

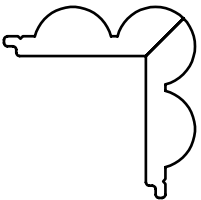
Profile Details

ARC

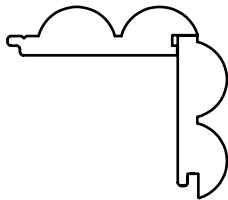


*3mm relief cut for curved substrates

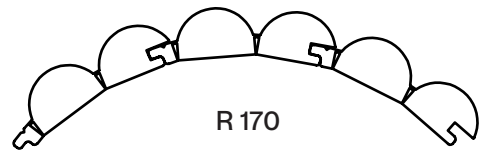
Mitre Corner Detail



Rebated Corner Detail



Concave / Convex Radius



Mating Detail

Batten

Batten to run the opposite direction to MODULO

8G Countersunk Screw

Polyurethane Adhesive

