

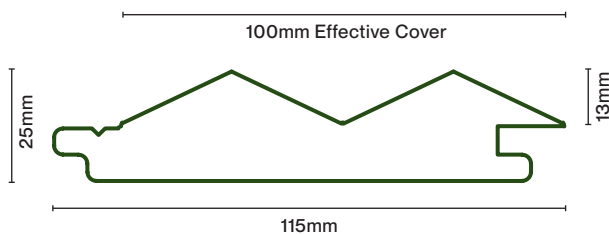
MODULO[®] Group 3
Profile Specification

RIDGE

| | |
|-------------------|-----------------------|
| Available Lengths | 2.7m, 3.6m, 5.4m |
| Effective Cover | 100mm |
| Max Thickness | 25mm |
| Weight | 13.42kg per Sqm |
| Curve Radius | 400 mm |
| Substrate | Decorative Fibreboard |
| Finish Options | Navurban™, Raw |



MODULO is a high quality, simple and cost-effective linear solution for internal wall and ceiling applications. The tongue and groove internal lining boards are available in a range of profiles and supplied prefinished in a wide range of Navurban™ premium decors.



MODULO[®] CERTIFICATIONS



Environment
Global GreenTag



Fire
Fire certified to AS5637:1, valid to NCC Vol 1 BCA 2019



Emissions
Low VOC tested, exceeding GBCA requirements for commercial fitouts.



UV Resistance
UV Tested to ASTM D4459.

NAV DESIGNER SURFACES™

Navurban™



Silken™



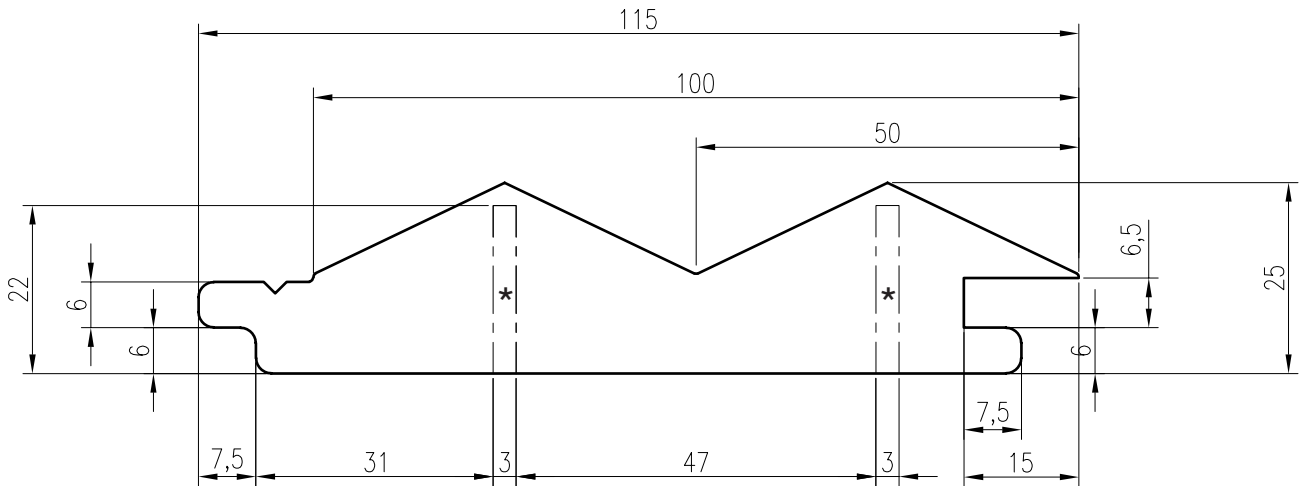
Elements™



*Navurban Diamond™ offers an extra layer surface protection.
Printed and online colours should be used as a guide only. Please request a sample to confirm your selection.

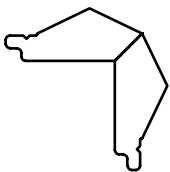
Profile Details

RIDGE

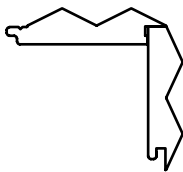


*3mm relief cut for curved substrates

Mitre Corner Detail



Rebated Corner Detail



Concave / Convex Radius



Mating Detail

Batten

Batten to run the opposite direction to MODULO

8G Countersunk Screw

Polyurethane Adhesive

