
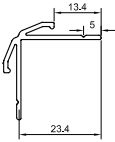
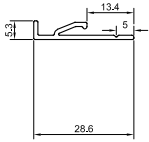
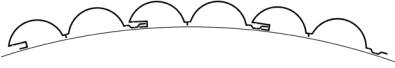

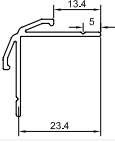
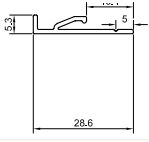


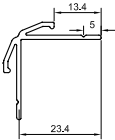
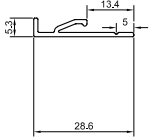
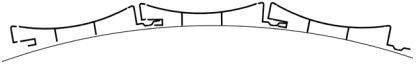


Range Overview Group 1

SCREENWOOD

MODULO

Available Lengths	2.7m, 3.6m, 5.4m
Effective Cover	100mm
Substrate	Aluminium

Profile	Weight	90° Corner (using corner trim)	Starting detail	Curve Radius
<p>Arc</p>  <p>115x21.5</p>	6.6kg per Sqm			 <p>R 500</p>
<p>Batten</p>  <p>115x22.5</p>	8.1kg per Sqm			 <p>R 500</p>
<p>Flute</p>  <p>115x18.5</p>	7.1kg per Sqm			 <p>R 500</p>


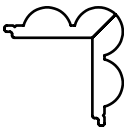
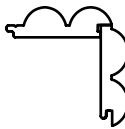


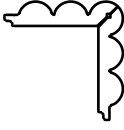
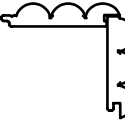


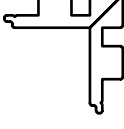
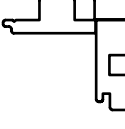


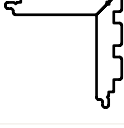
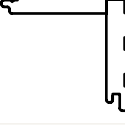


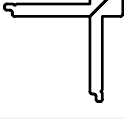
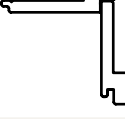



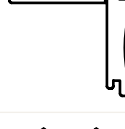




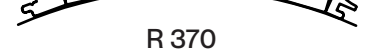
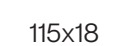



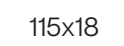

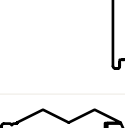
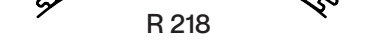

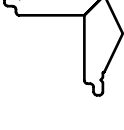


Range Overview

Group 3

SCREENWOOD

MODULO³

Available Lengths	2.7m, 3.6m, 5.4m
Effective Cover	100mm
Substrate	(MR) Fibreboard

Profile	Weight	Mitred Corner	Rebated Corner	Curve Radius
Arc  115x30	17.3kg per Sqm			 R 170
Arc 3  115x25	15.1kg per Sqm			 R 170
Batten  115x32	18.1kg per Sqm			 R 250
Batten 3  115x25	15.1kg per Sqm			 R 200
Board & Batten  115 x 32	13.3kg per Sqm			 R 183
Flute  115x25	14.39kg per Sqm			 R 530
Flute 2  115x25	13kg per Sqm			 R 370
Groove 50  115x18	12.95 per Sqm			 R 180
Groove 100  115x18	13.1kg per Sqm			 R 218
Ridge  115x25	13.42kg per Sqm			 R 400